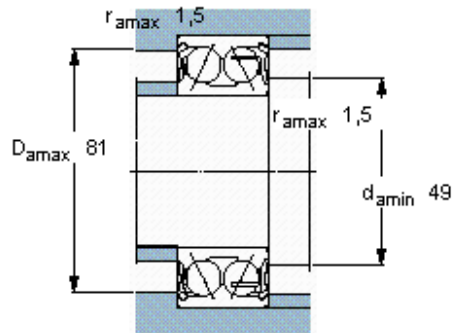
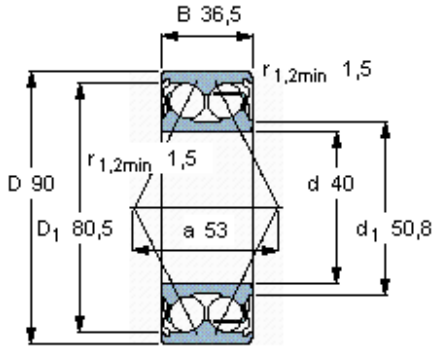


Angular contact ball bearings, double row

Principal dimensions			Basic load ratings		Speed ratings		Designation
d	D	B	dynamic C	static C0	Reference speed	Limiting speed	
mm			kN		r/min		<b>* SKF Explorer bearing</b>
<b>40</b>	90	36,5	64	44	7500	7500	<b>3308 A-2Z *</b>



**Calculation factors**

$k_r$  0,07  
 $e$  0,8  
 $X$  0,63  
 $Y_1$  0,78  
 $Y_2$  1,24  
 $Y_0$  0,66